

Shockless Ionizing Airgun Model 50003 and Single-Point Ionizers Model 50006



6320 Wiehe Road, Cincinnati, Ohio 45237
Phone: 1-513-631-0660 / www.airtx.com

Description

A shockless Static Elimination Air Device used for removing dust and neutralizing static cling in a wide range of industrial activities.

Operation

The ionizing emitter point is connected to a AiRTX Power Supply Unit. Positive and negative ions are emitted from the electrode. These ions are carried to the charged materials by the compressed air moving past the electrode. Recommended operating air pressure is 40 psi or less. Turbulence in the air at higher pressures cause ions to recombine and lower ionizing effectiveness. Effective operating distance is 5 feet.

Installation/Maintenance

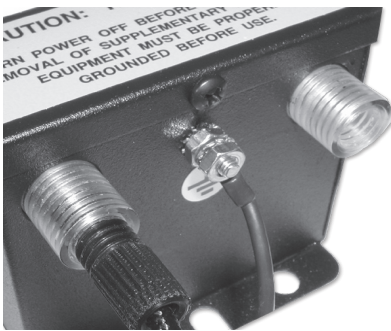
Air Gun Model 50003 and the Single-Point Ionizer Model 50006.

Connecting Static Eliminator Bar, Ionizing Gun, And Ionizing Nozzles To Power Supply

While Power Supply is unplugged attach ground lead ring terminal to ground terminal on Power Supply. Remove one of the two red caps on the end of the Power Supply.

Insert power lead into connector and screw in locking nut.

MODEL 50000	(115V)	7500V Outlets (4)	MODEL 50002	(115V)	6000V Outlets (2)
MODEL 50000-1	(230V)	7500V Outlets (4)	MODEL 50002-1	(230V)	6000V Outlets (2)



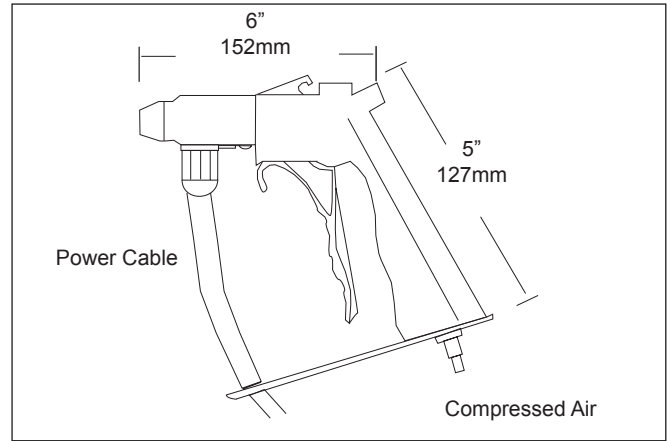
REMEMBER TO TURN UNIT OFF WHEN NOT IN USE.

WARNING:

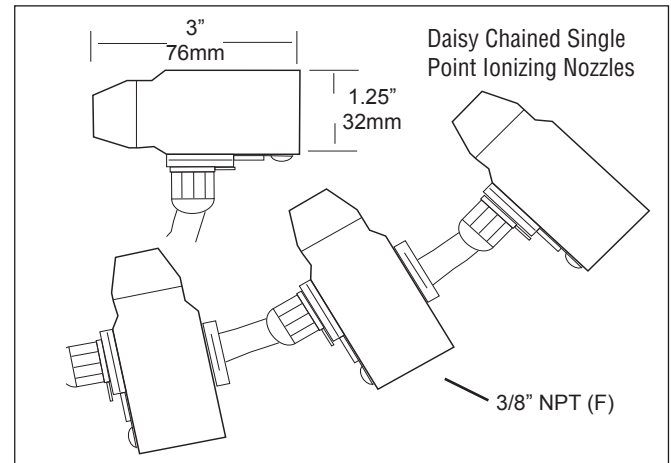
DO NOT REMOVE LID WITHOUT FIRST UNPLUGGING THE POWER CABLE FROM ELECTRICAL WALL SOCKET!

CAUTION: THIS EQUIPMENT IS NOT TO BE USED IN HAZARDOUS VAPOR AREAS!

Do not use solvents to clean ionizing equipment and wires as this may damage the installation on the wiring and cause failure. Disconnect powercord and use soap and water to clean the equipment.



Model 50003 Ionizing Gun



Model 50006 Single Point

Applications

The 50003 and the 50006 are used in a wide range of applications. These include:

- Printing: Cleaning sheets and other material prior to screen and bad printing.
- Pre-press: Cleaning of film, plates, cameras, light and boxes.
- Photographic: Removing dust from negatives and processing equipment.
- Plastics: Cleaning moldings after trimming and in preparation for paint. Spraying and other decorations.
- Electronics: Removing contaminants from PCB' and other aminities

Technical and Construction

- Max Pressure: Typical usage 40psi or less
- Operation Voltage: 6000V to 7500V
- Max Temperature: 185°
- Weight: 11 oz for 50003, 3 oz for 50006
- Cable: when ordering, specify cable length from power supply to first nozzle (50006) or cable length from power supply to ionizing gun (50003).

ASK ABOUT

www.airtx.com

IONIZING BAR WITH AIR KNIFE

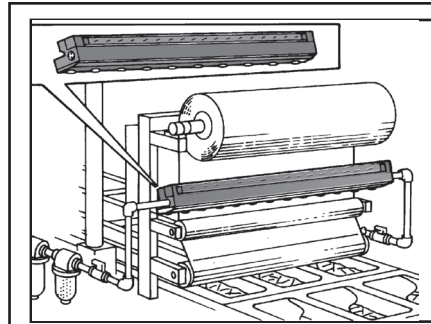


(Available up to 3" to 112" /76-2845 mm)
(or optional in custom lengths)

ADVANTAGES - IONIZING BAR WITH AIR KNIFE

- More power from 7500V power source
- Anodized aluminum case
- Neutralizes static, blows away dirt
- Minimal compressed air, where used at all
- Adjustable air flow
- Shockless, non-radioactive neutralization source
- Low maintenance
- Quiet
- Rugged, reliable for industrial use
- **Indicator light on Ionizing Bar to show power**

End Production Slowdown!!!
Optimum Shockless Static Eliminator
A Smooth Laminar Flow Of Air
(Distance Up To 20 Feet/ 6 Meters)



FOOD PROCESSING

STATIC Build up on the plastic roll in this food packaging machine slowed production speed and caused shocks to employees. The Ionizing Air Knife can stop static build-up in all types of plastic and paper roll or sheet stock.

Check Out the AiRTX Shockless Ionizing Products
Ionizing Air Curtain
Ionizing Bar
Ionizing Nozzles
Ionizing Air Gun
(for virtually any operation!)

ASK ABOUT

www.airtx.com

IONIZING BAR



(Available up to 3" to 112" /76-2845 mm)
(or optional in custom lengths))

ADVANTAGES - IONIZING BAR

- Anodized Case
- Heavy-duty shielded power cable for long life and protection
- Quick connect plug-in to power supply
- Stainless Steel emitter points
- Shockless operation
- Static elimination 6" from bar and 20' from ionizing bar using the AiRTX Air Knife
- 6000V of Power means 20% more ions than other suppliers with 5000V power supplies
- Indicator light on Ionizing Bar to show power
- 7500V of Power means 35% more ions than other suppliers with 5000V power supplies

Model 55000* Series

Static Neutralization Bar

Model 55000 Series Ionizing Bars feature a unique inductively coupled design that produces powerful static neutralization, while remaining shockproof. It is ideal for sheet, webs and shallow three-dimensional parts. The Bar can be positioned up to 6" from the target. It is supplied with 8' of cable. Body is anodized aluminum, with Stainless Steel emitter pins in plastic molding. Inductive operated Power Light indicates On/Off operation. Available lengths of 3" to 112" (76-2845 mm). (optional custom lengths)

Technical and Construction:

OPERATING VOLTAGE	6000V, 7500V
MAX TEMPERATURE	185°F 85°C
EMI/RFI EMISSIONS	AiRTX cable meets international standards
HOUSING	Anodized Aluminum
WEIGHT	8.8 oz per ft.
OZONE	Considerably below international standards of 0.1 PPM
PIN	Stainless steel pin is inductively coupled. Touching pins will not result in a shock